

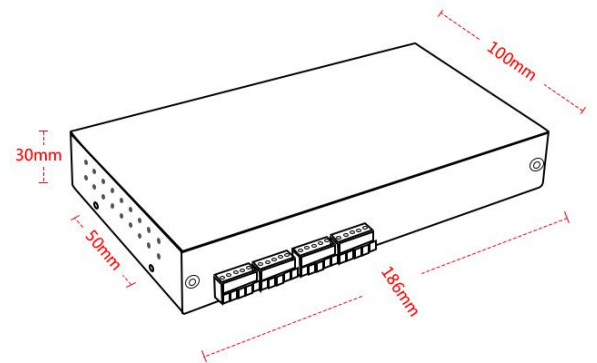


SLK-S504D Series

Isolated Serial Device

Server

Specification



SERIALLINK SLK-S504D Serial Device Server is a multi-channel decentralized with low-speed, different standards of serial devices converted into Ethernet for centralized management. After installing virtual serial port, remote reading of serial data can be achieved. SLK-S504D Series Serial Device Server supports a variety of working modes, including TCP server mode, TCP client mode, UDP mode, TCP/UDP Socket, TCP Realport and other working modes, allowing user software to access serial devices through TCP plus port number. In addition, virtual serial port is also supported to access serial devices. SERIALLINK SLK-S504D supports easy and fast manual configuration of IP addresses through browsers or Telnet terminals. At the same time, users can automatically search serial device server in local area network through simple and easy-to-use Windows management software, and carry out remote configuration management and work status monitoring applications.

Features:

- ✓ 1 x self-adapted 10/100M Ethernet
- ✓ 4 x R232 /485 interface
- ✓ DC DC isolated protection
- ✓ TVS protection
- ✓ Opto-isolated protection
- ✓ ESD protection
- ✓ Multiple working mode: TCP server, UDP optional

- ✓ WEB&Telnet configuration support
- ✓ Multiple power version: 12V (DC6-28V), 48V(+36-72V) optional
- ✓ Size(mm): 186(L)X50(W)X30(H)

2. Product Parameters

Items	Description
Model	SLK-S504D Series
CPU	32bit,400 MHZ
Memory	64M RAM, 8M FLASH
Ethernet interface	Number of Ports:1
	Speed: 10/100 Mbps, auto MDI/MDIX
	Connector:8-pin RJ45
	Magnetic Isolation Protection: 2.4 kV built-in Default IP Address: 192.168.0.233
Serial interface	Number of Ports: 4
	Connectors: Terminal
	Serial Signal: RS-232:TxD/RxD/GND RS-485-2w: Data+, Data-, GND
Serial Communication Parameters	Data Bits: 5, 6, 7, 8 Stop Bits: 1, 1.5, 2 Parity: None, Even, Odd, Space, Mark Flow Control: RTS/CTS and DTR/DSR (RS-232 only), XON/XOFF Baudrate: 300bps to 460.8 kbps
Serial Line Protection:	RS232/485 with 15 kV ESD protection for all signals
	RS232/485 with Optical isolation protection
	RS232/485 with DC to DC Isolation protection
	RS232/485 with TVS protection
	RS485 Terminal Resistance: 120 Ω
Software	Network Protocols: TCP, UDP, DHCP, DNS
	Configuration Options: Web Console
	Operating Mode: TCP Server,TCP Client
	Windows Real COM Drivers: Windows 95/98/ME/NT/2000, Windows XP/2003/Vista/2008/7/8/8.1 /10(x86/x64), Windows 2008 R2/2012/2012 R2 (x64)
Physical Characteristics	Material: iron
	With mounting kit: 186 x 100 x 30 mm

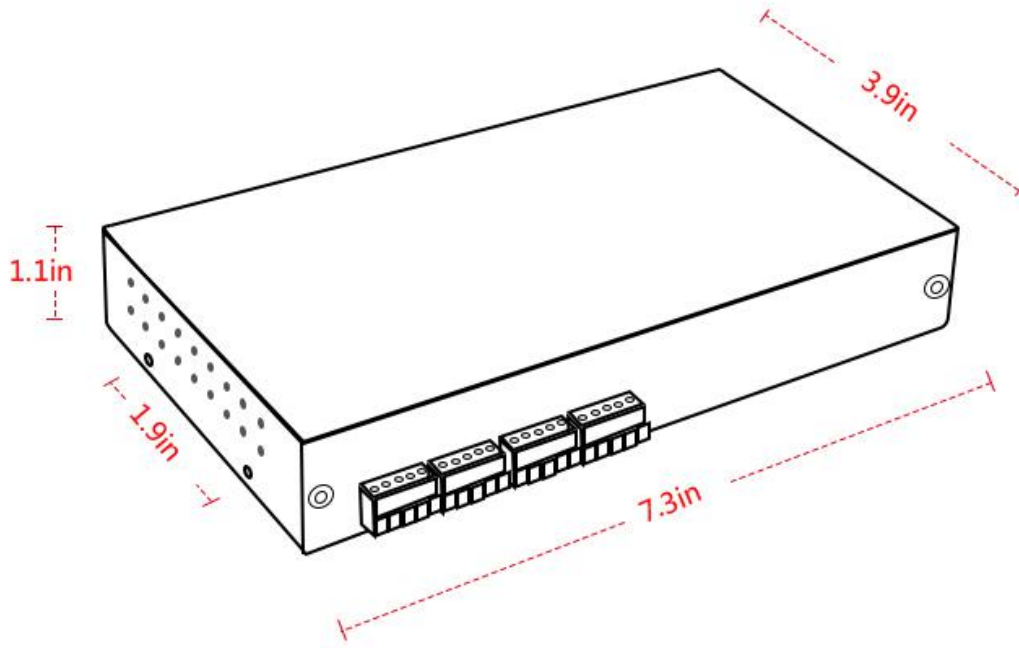
Environmental Limits	Operating Temperature: -40 to 75°C (-40 to 167°F)
	Storage Temperature: -40 to 85°C (-40 to 185°F)
	Ambient Relative Humidity: 5 to 95% (non-condensing)
Power	Input Voltage: +12V (DC6-28V), 48 VDC (+36 to 72 VDC, -36 to 72 VDC)
Warranty	5 years

3. Order Information

SERIALLINK SLK-S504D Series:

Model NO.	Description
SLK-S504_12V(Desktop Serial Device Server)	4xRS232/485,1x10/100M Ethernet port RS232/485 with opto-isolated protection RS232/485 with DC to DC isolation protection RS232/485 with TVS protection RS232/485 with ESD protection RS232/485 is Terminal Interface
SLK-S504_48V(Desktop Serial Device Server)	4xRS232/485,1x10/100M Ethernet port RS232/485 with opto-isolated protection RS232/485 with DC to DC isolation protection RS232/485 with TVS protection RS232/485 with ESD protection RS232/485 is Terminal Interface
Notes	12VDC(+5-28VDC),±48 VDC (+36 to 72 VDC, -36 to -72 VDC)
	Packaging: 1xSerial Device Server,1xRJ45 Cable(150 cm) 1xPower Adapter(12V Only), 1xSoftware and documentation CD 1xQuick Install Guild

Size:



Application:



Computer room monitoring



Smart grid



Mining area



Fire Control System



Natural gas



Environmental monitoring



Oilfield